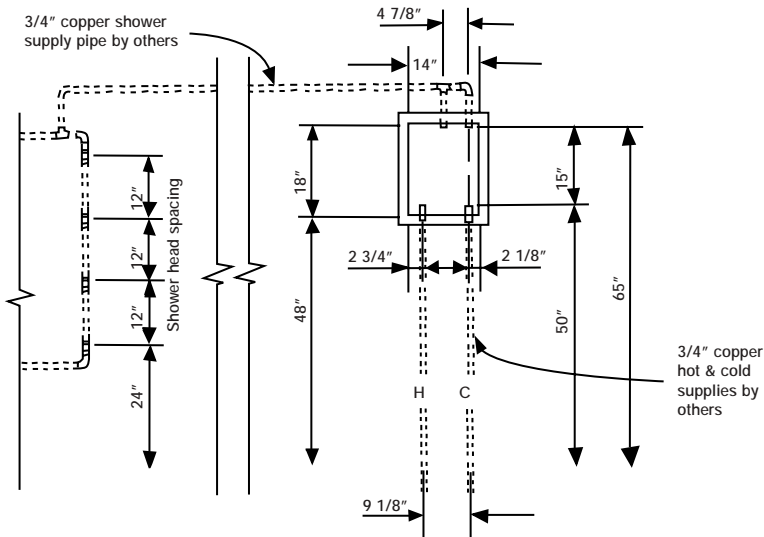
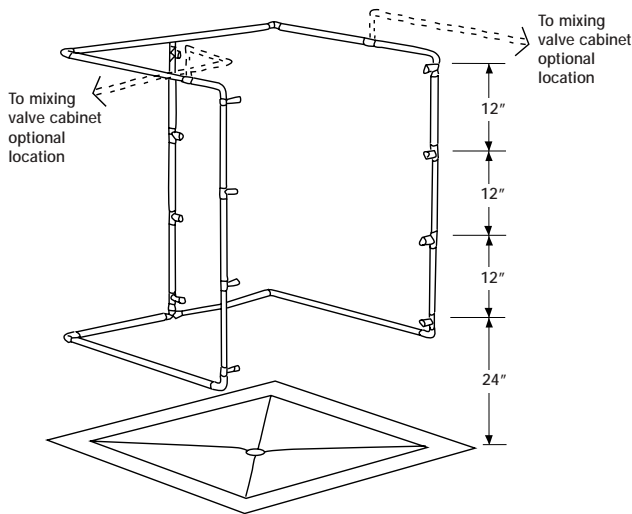


The Monsoon Swiss Shower is the largest shower we manufacture. It has twelve shower heads to deliver one of the most invigorating water massages you could experience.

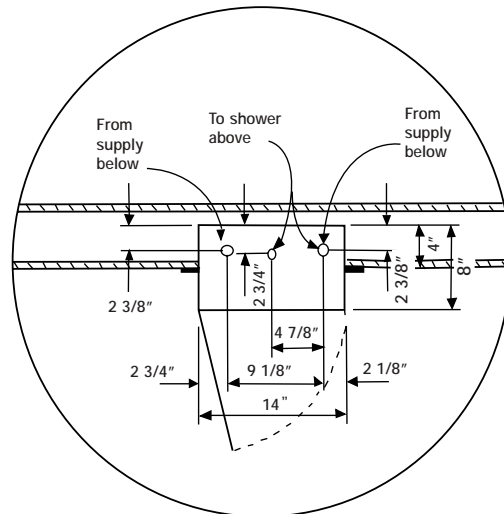
Like all WATER WERKS Showers, the Monsoon is hand-crafted with quality stainless steel and brass fixtures, and commercial-strength components. The result is a professional, durable, and high-quality system that will impress your clientele.



Mixing Valve Cabinet Rough-in Elevation



Piping Schematic

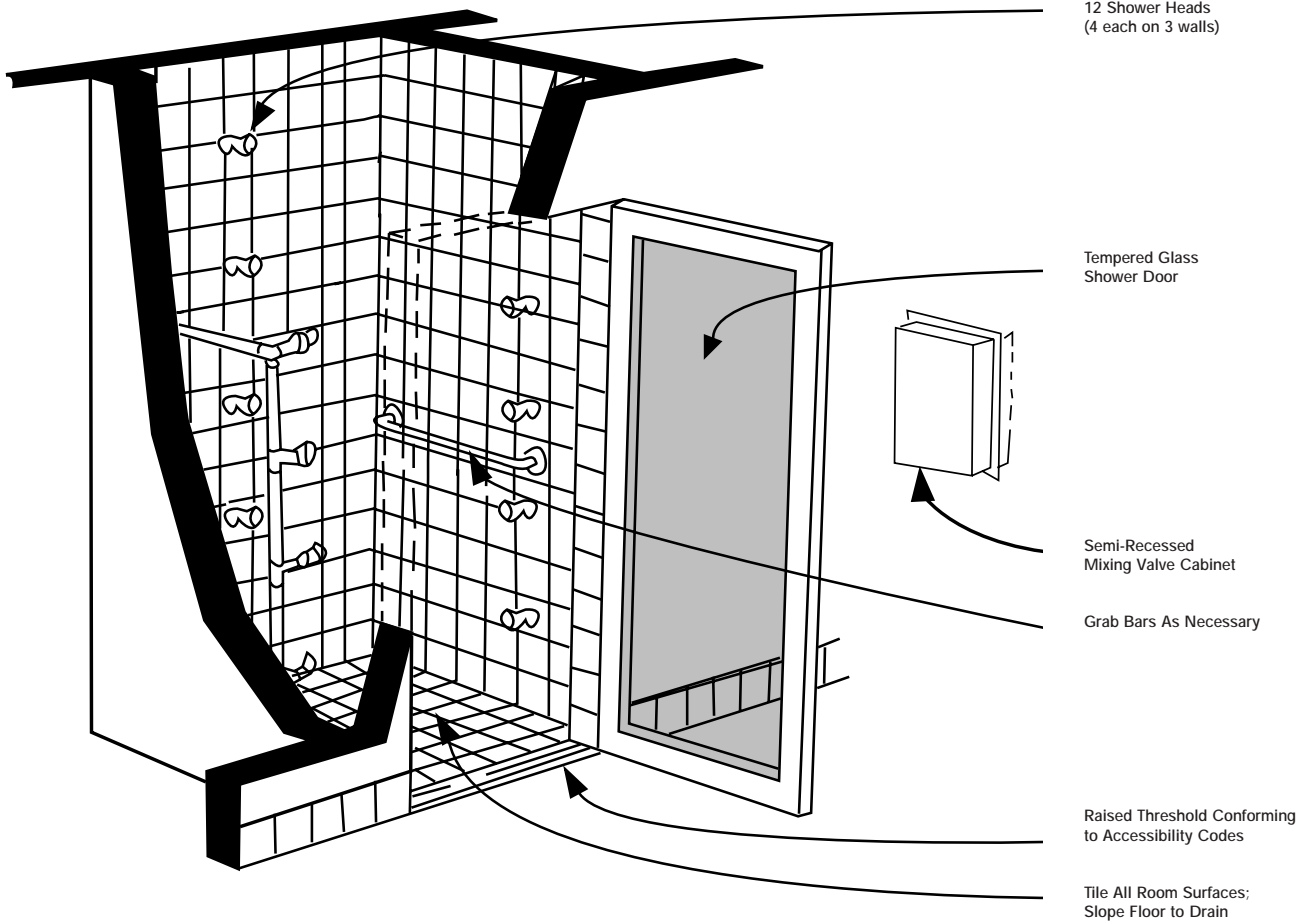


Plan Detail of Mixing Valve Piping Rough-in

NOTES

- Mixing valve cabinet is designed to receive water supply from bottom; if supply is from above, piping must be looped around to bottom of mixing valve cabinet.
- Vent all plumbing as required by local code.
- Grab bars are available from WATER WERKS.
- For easiest installation, reserve rough-in plumbing until cabinet assembly is on site.
- Wall tiling is best done after installation of mixing valve cabinet.
- Manufacturer reserves the right to alter details and/or dimensions without notice. Contact manufacturer for most recent version of drawings.

Typical Monsoon Shower Room



THE WATER WERKS 5 YEAR WARRANTY

WATER WERKS products are warranted to be free of defects in material and workmanship to the original domestic purchaser for five (5) years from the date of purchase as shown on the original invoice. If a defect is found, please contact WATER WERKS at the phone number below for instructions. Defective parts or components that are covered under this warranty must be returned to WATER WERKS insured and shipped pre-paid to the address shown below. WATER WERKS will, at its option, repair or replace the defective part or component. This warranty does not cover labor charges, damage caused by improper installation or modification. This warranty applies only to items that WATER WERKS manufactures.

Be sure to complete and return all warranty cards that come with your WATER WERKS equipment.

To obtain warranty service, contact WATER WERKS SYSTEMS either through your dealer, or by calling WATER WERKS SYSTEMS Customer Service Department at 952-884-9225. You may also write to us at WATER WERKS, Customer Service Department, 10740 Lyndale Avenue South, Suite 12W, Minneapolis, MN 55420. Please provide all pertinent information regarding your claim such as model type, purchase date, serial number, and type of problem.

There are no other express warranties on this product and ALL WARRANTIES OF MERCHANTABILITY AND WARRANTIES AS TO FITNESS FOR A PARTICULAR PURPOSE AND ANY OTHER IMPLIED WARRANTIES ARE EXPRESSLY DENIED. This warranty gives you specific legal rights, and you may also have other rights which vary from state to state.

The following specific items or components of WATER WERKS equipment come with their own manufacturers' warranties that vary depending on the item:

- The Setma Hydrotherapy Tub and Thalasso Tubs
- The mixing valve in the WATER WERKS Torrent, Monsoon, Cascade, Typhoon, Tsunami, Splash, Mirage and Scots Hose Showers
- The tub components in the WATER WERKS Aquarian and Zephyr Hydrotherapy Tubs
- WATER WERKS Aqua Top

Please refer to warranty cards enclosed with these products for details on the specific warranty terms and conditions for these items.