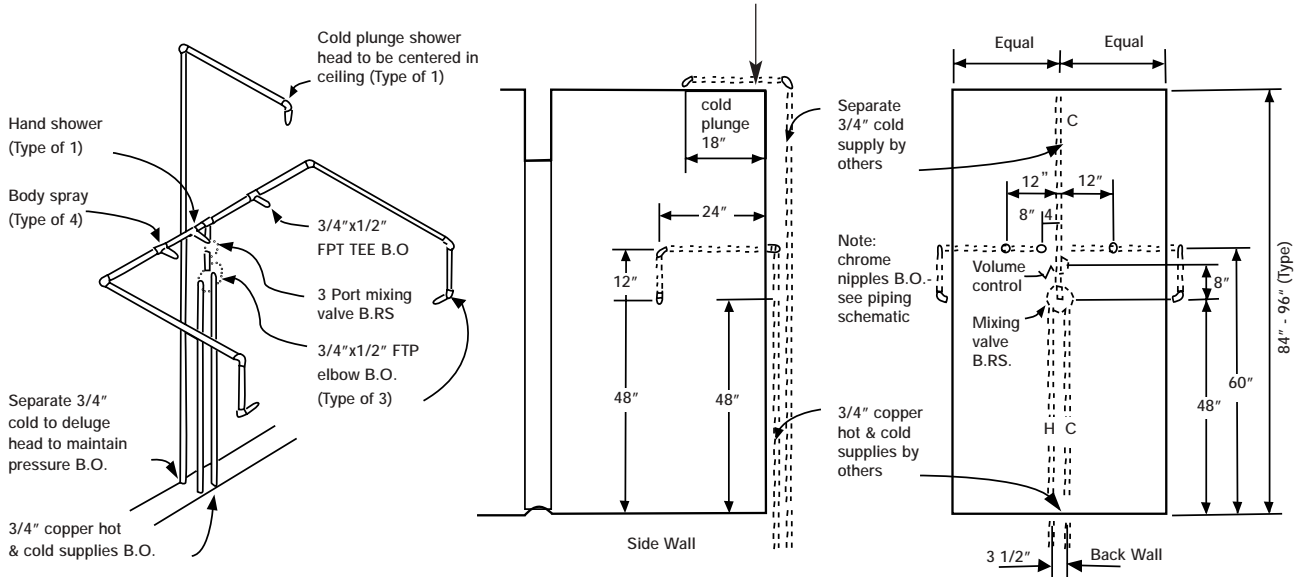


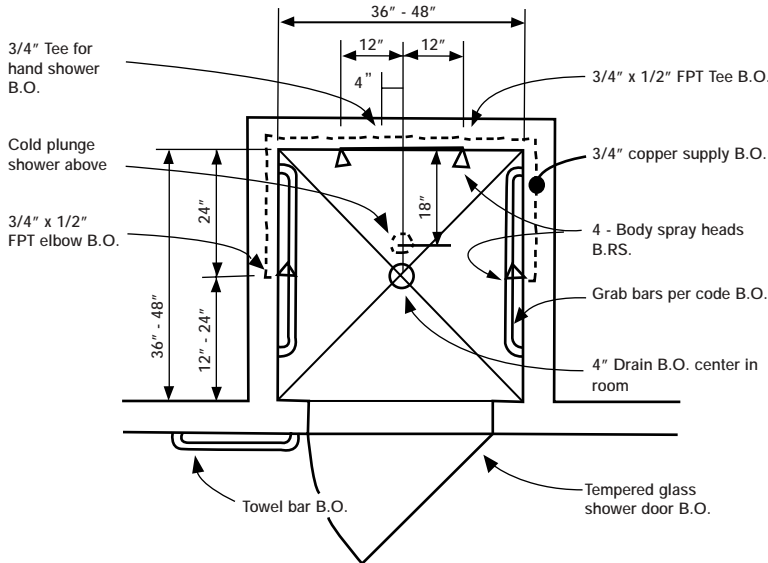
The unique design of the Tsunami Swiss Shower System was inspired by clients who wanted the same remarkable and delightful experience of the traditional Swiss system, with fewer shower heads.

The Tsunami has four heads in the main shower area, two higher and lower, and a cold plunge shower head above. The guest pulls the chain on the cold plunge to deliver a refreshing and stimulating douse of cold water.



Piping Schematic

Rough-in Elevations



Floor Plan

Abbreviations: B.O. = By Others B.R.S. = By WATER WERKS TYPE = Typical

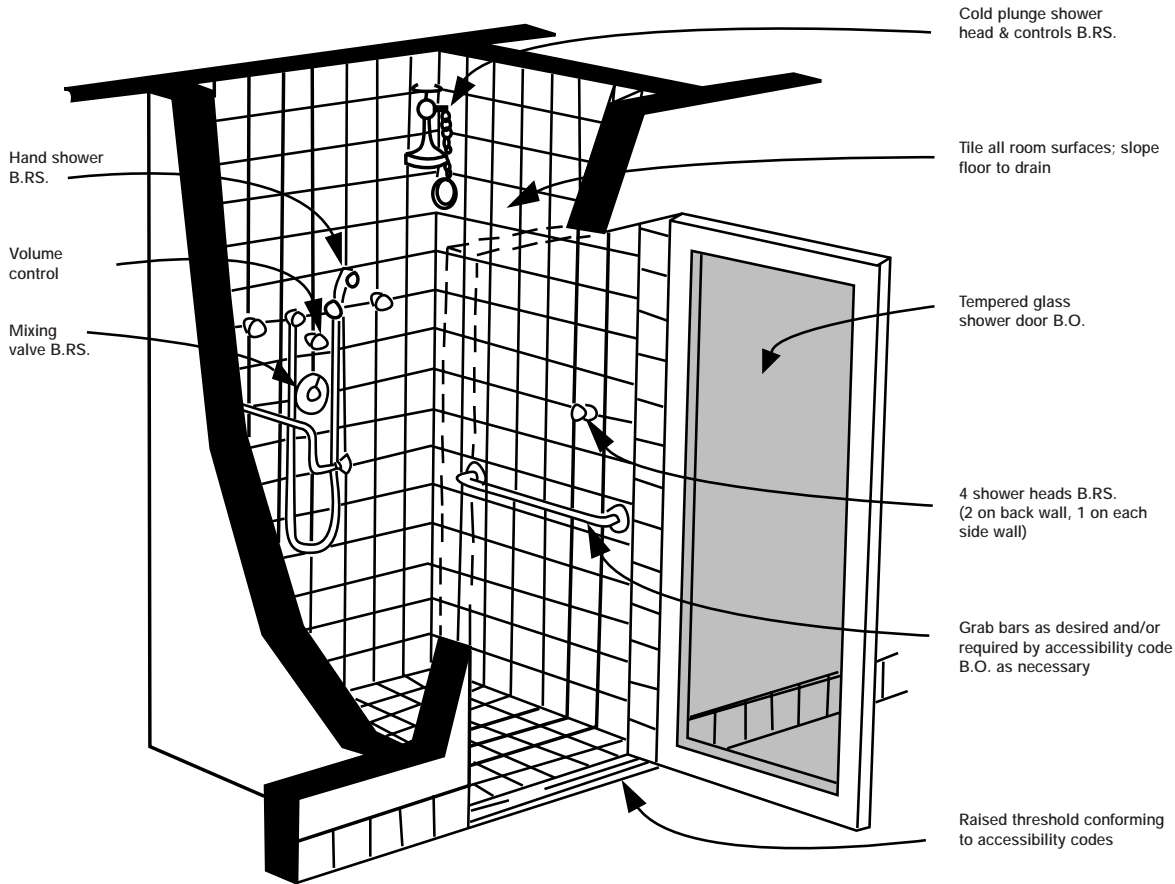
NOTES

1. Room sizes/shapes and door placements vary with individual job conditions and accessibility codes. Contact WATER WERKS for information on custom showers larger than shown or for wheel-in accessible showers.

2. Each shower head, hand shower and body spray is provided with individual pressure control.

Note: Each FPT shower head location is to be fitted with 1/2" chrome nipple to size B.O. (type of 4 body sprays)

Typical Tsunami Shower Room



THE WATER WERKS 5 YEAR WARRANTY

WATER WERKS products are warranted to be free of defects in material and workmanship to the original domestic purchaser for five (5) years from the date of purchase as shown on the original invoice. If a defect is found, please contact WATER WERKS at the phone number below for instructions. Defective parts or components that are covered under this warranty must be returned to WATER WERKS insured and shipped pre-paid to the address shown below. WATER WERKS will, at its option, repair or replace the defective part or component. This warranty does not cover labor charges, damage caused by improper installation or modification. This warranty applies only to items that WATER WERKS manufactures.

Be sure to complete and return all warranty cards that come with your WATER WERKS equipment.

To obtain warranty service, contact WATER WERKS either through your dealer, or by calling WATER WERKS Customer Service Department at 952-884-9225. You may also write to us at WATER WERKS, Customer Service Department, 10740 Lyndale Avenue South, Suite 12W, Minneapolis, MN 55420. Please provide all pertinent information regarding your claim such as model type, purchase date, serial number, and type of problem.

There are no other express warranties on this product and ALL WARRANTIES OF MERCHANTABILITY AND WARRANTIES AS TO FITNESS FOR A PARTICULAR PURPOSE AND ANY OTHER IMPLIED WARRANTIES ARE EXPRESSLY DENIED. This warranty gives you specific legal rights, and you may also have other rights which vary from state to state.

The following specific items or components of WATER WERKS equipment come with their own manufacturers' warranties that vary depending on the item:

- The Setma Hydrotherapy Tub and Thalasso Tubs
- The mixing valve in the WATER WERKS Torrent, Monsoon, Cascade, Typhoon, Tsunami, Splash, Mirage and Scots Hose Showers
- The tub components in the WATER WERKS Aquarian and Zephyr Hydrotherapy Tubs
- WATER WERKS Aqua Top

Please refer to warranty cards enclosed with these products for details on the specific warranty terms and conditions for these items.